



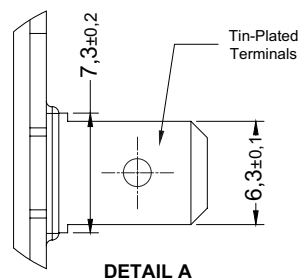
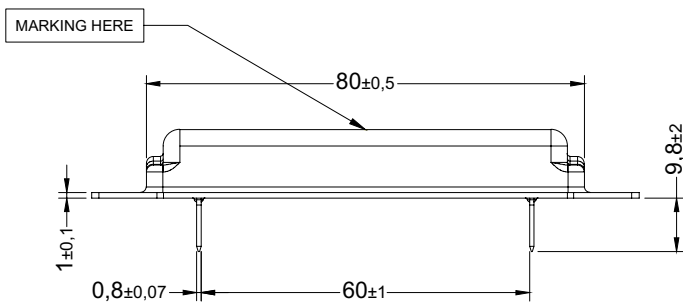
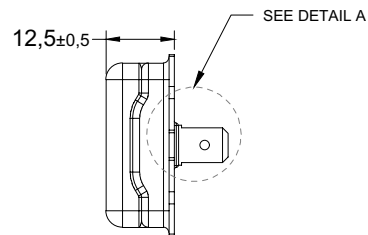
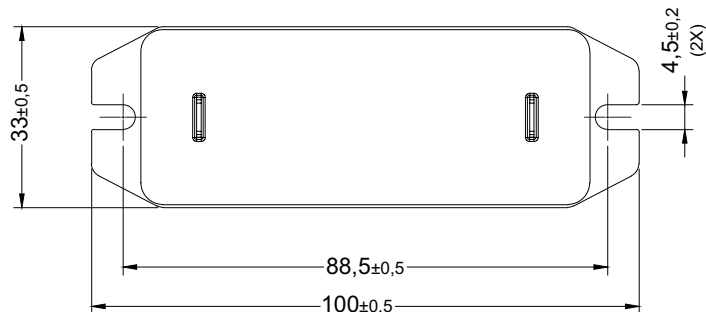
## ALUMINIUM ENCASED PRE-CHARGE RESISTOR

### HME SERIES

- AEC-Q200 compliant high-voltage pre-charge resistor in a robust aluminium housing, offering a resistance range of 10  $\Omega$  to 2 k $\Omega$
- Compact, space-saving design offering high continuous rated power and enhanced impulse withstand capability
- Constructed from non-combustible materials for safe operation in demanding environments
- Excellent electrical insulation, high thermal conductivity, and long-term reliability



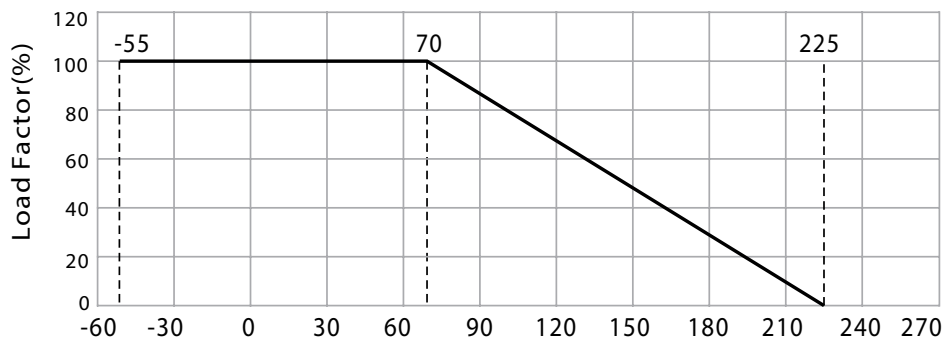
**PHYSICAL CONFIGURATION**



**DIMENSIONAL TABLE (mm)**

SERIES	HTR TYPE	POWER RATING at 70°C	RESISTANCE RANGE (Ω)	TYPICAL WEIGHT (gms)
HME	HME45	45W	10Ω - 2K0Ω	65.0

**DERATING CURVE**





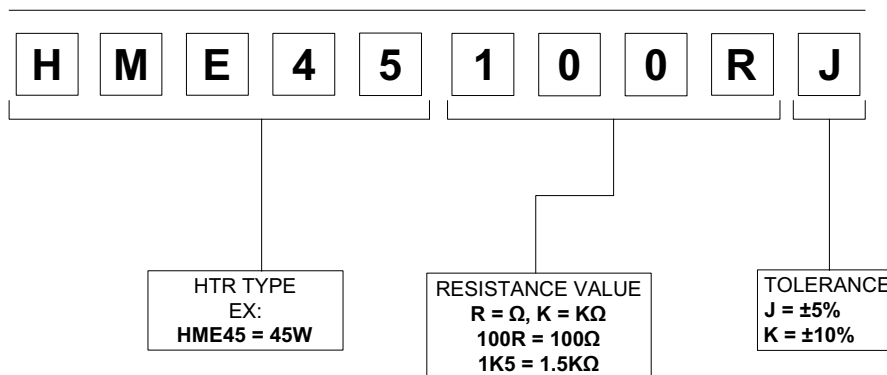
ALUMINIUM  
ENCASED  
PRE-CHARGE  
RESISTOR  
**HME**  
SERIES

## ELECTRICAL SPECIFICATIONS :

Characteristics	Condition	Compliance
Resistance Tolerances Available	-	$\pm 5\%$ to $\pm 10\%$
Temperature Co-efficient of Resistance	-	$\pm 200$ PPM/ $^{\circ}$ C max
Insulation Resistance	Dry/Normal	$\geq 100\text{M}\Omega$ @1000VDC
Endurance	1.5Hrs ON, 0.5Hrs OFF for 500Hrs @Room Temperature	$\Delta R < \pm(5\% + 0.05\Omega)$
Short Term Overload	5 x Rated Power for 5sec	$\Delta R < \pm(2\% + 0.05\Omega)$
Operating Temperature Range	$-55^{\circ}\text{C}$ to $225^{\circ}\text{C}$	-
Humidity	$40^{\circ}\text{C}$ , 90% Rh, 240Hrs	$\Delta R < \pm(3\% + 0.05\Omega)$
Dielectric Strength	3000VAC rms for 1minute	No Breakdown or Flashover

## ORDERING INFORMATION :

**EX : HME45100RJ**



## MARKING :

HTR PART NUMBER	RESISTANCE VALUE	TOLRANCE	MARKING ON RESISTOR
HME45100RJ	$100\Omega$	$\pm 5\%$	HTR LOGO HME45 100R J DATE CODE